



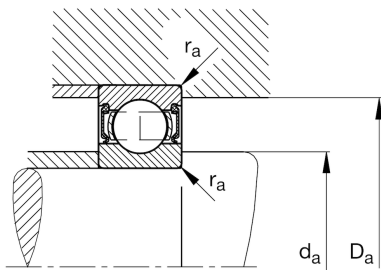
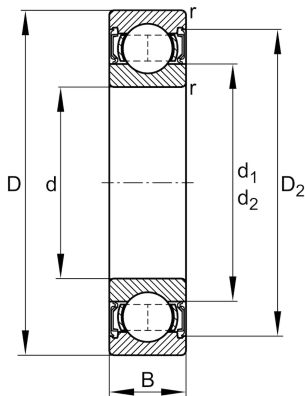
FAG

**6028-2RSR**

Deep groove ball bearing

Schaeffler ID:  
0390536280000Deep groove ball bearing 60...-2RSR,  
single row, seals, steel sheet metal cage

## Technical information

**Main Dimensions & Performance Data**

d	140 mm	Bore diameter
D	210 mm	Outside diameter
B	33 mm	Width
$C_r$	117.000 N	Basic dynamic load rating, radial
$C_{0r}$	109.000 N	Basic static load rating, radial
$C_{ur}$	5.100 N	Fatigue load limit, radial
$n_G$	1.650 1/min	Limiting speed
	3,51 kg	Weight

**Dimensions**

$r_{min}$	2 mm	Minimum chamfer dimension
$D_2$	191,3 mm	Caliber diameter outer ring
$d_1$	161,9 mm	Shoulder diameter inner ring

**Mounting dimensions**

$d_{a min}$	148,8 mm	Minimum diameter shaft shoulder
$D_{a max}$	201,2 mm	Maximum diameter of housing shoulder
$r_{a max}$	2 mm	Maximum fillet radius

**Calculation factors**

$f_0$	16	Calculation factor
-------	----	--------------------

**Temperature range**

$T_{min}$	-20 °C	Operating temperature min.
$T_{max}$	100 °C	Operating temperature max.